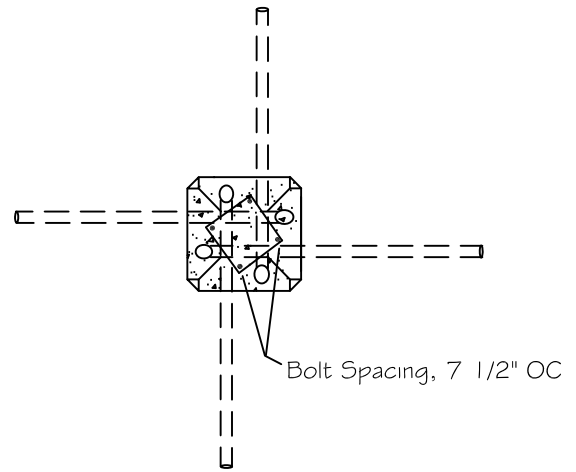
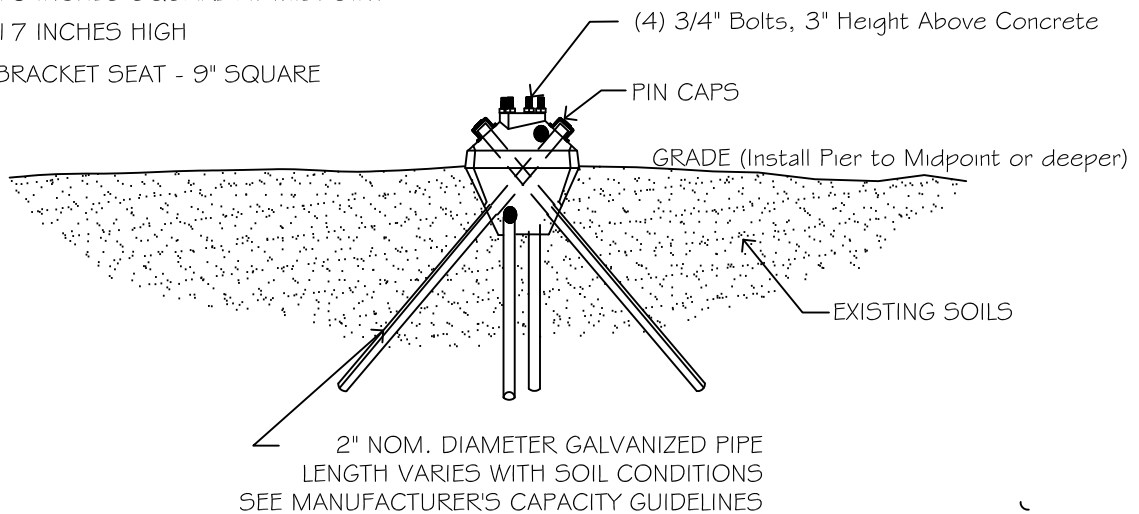


ELEVATION W/ PINS



PLAN VIEW W/ PINS

WEIGHT 210 LBS. (CONCRETE ALONE)
 16 INCHES SQUARE AT MIDPOINT
 17 INCHES HIGH
 BRACKET SEAT - 9" SQUARE



DIAMOND PIER DP-200E

US PAT. #5039256, #6578333, & 7326003

COPYRIGHT: ©2011
 ALL DETAILS IN WHOLE, OR IN PART,
 OR ANY PORTION THEREOF ARE COPYRIGHTED
 BY PIN FOUNDATIONS, INC. AND MAY BE USED
 BY THE RECIPIENT OR THEIR ASSIGNS FOR
 PROJECT APPLICATIONS ONLY.

PIN FOUNDATIONS, INC.
 8607 58th AVE. NW
 GIG HARBOR, WASHINGTON 98332
 (253) 858-8809