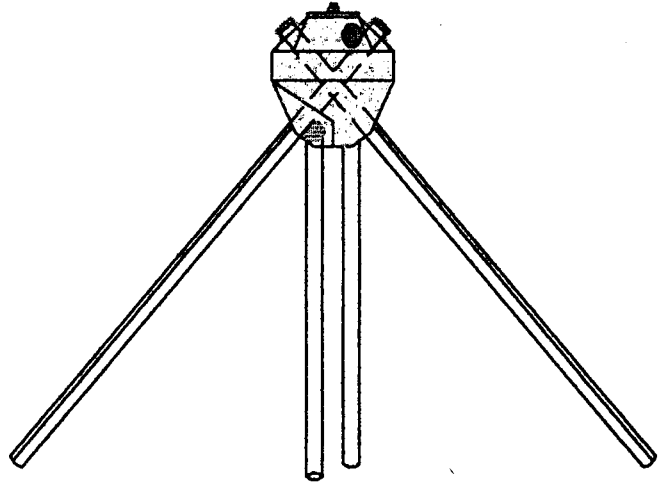
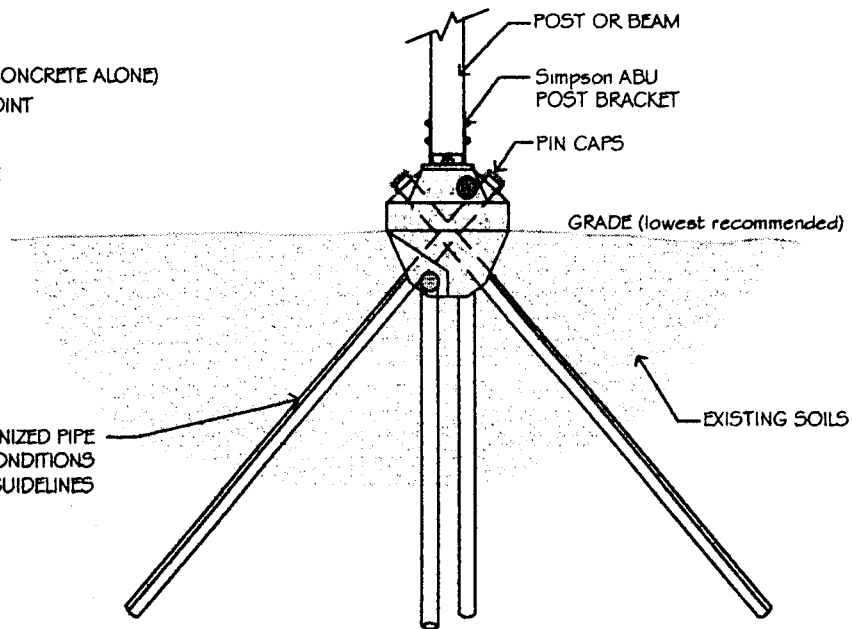


PLAN VIEW W/ 5.25 FOOT PINS



ELEVATION W/ 5.25 FOOT PINS

WEIGHT APPROX. 100 LBS. (CONCRETE ALONE)
 13 INCHES SQUARE AT MIDPOINT
 14 INCHES HIGH
 BRACKET SEAT - 5.5" SQUARE
 60° PINS SHOWN



1.5" NOM. DIAMETER GALVANIZED PIPE
 NOTE: LENGTH VARIES WITH SOIL CONDITIONS
 SEE MANUFACTURER'S CAPACITY GUIDELINES

DIAMOND PIER™ DP-100

US PAT. #5039256 & #6578333

COPYRIGHT: ©2007
 ALL DETAILS IN WHOLE, OR IN PART,
 OR ANY PORTION THEREOF ARE COPYRIGHTED
 BY PIN FOUNDATIONS, INC. AND MAY BE USED
 BY THE RECIPIENT OR THEIR ASSIGNS FOR
 PROJECT APPLICATIONS ONLY.

PIN FOUNDATIONS, INC.
 8607 58th AVE. NW
 GIG HARBOR, WASHINGTON 98332
 (253) 858-8809