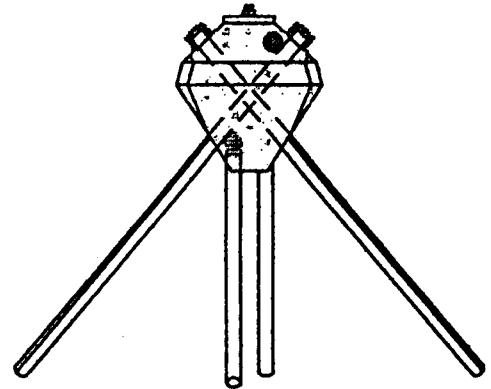
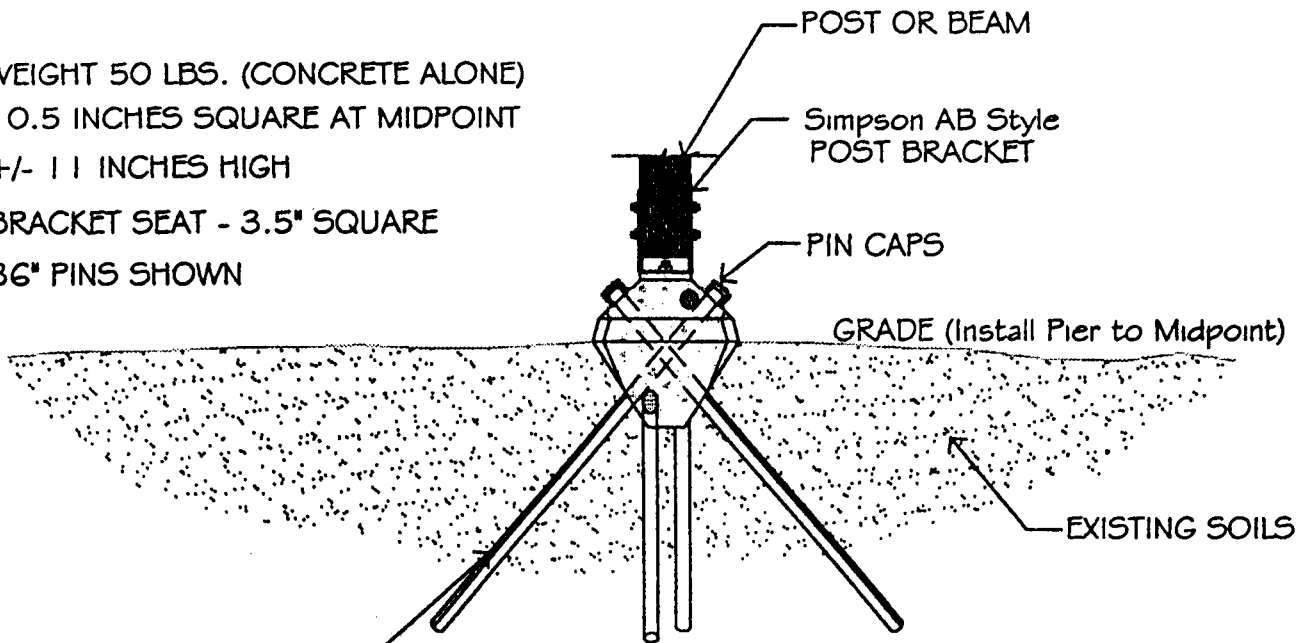


PLAN VIEW W/ 36" PINS



ELEVATION W/ 36" PINS

WEIGHT 50 LBS. (CONCRETE ALONE)  
 10.5 INCHES SQUARE AT MIDPOINT  
 +/- 11 INCHES HIGH  
 BRACKET SEAT - 3.5" SQUARE  
 36" PINS SHOWN



1" NOM. DIAMETER GALVANIZED PIPE  
 NOTE: LENGTH VARIES WITH SOIL CONDITIONS  
 SEE MANUFACTURER'S CAPACITY GUIDELINES

# DIAMOND PIER™ DP-50

US PAT. #5039256 & #6578333

**COPYRIGHT: ©2007**  
 ALL DETAILS IN WHOLE, OR IN PART,  
 OR ANY PORTION THEREOF ARE COPYRIGHTED  
 BY PIN FOUNDATIONS, INC. AND MAY BE USED  
 BY THE RECIPIENT OR THEIR ASSIGNS FOR  
 PROJECT APPLICATIONS ONLY.

**PIN FOUNDATIONS, INC.**  
 8607 58th AVE. NW  
 GIG HARBOR, WASHINGTON 98332  
 (253) 858-8809